

# POWERFLEX®

PART NUMBER

## PFR85-240

DESCRIPTION

### REAR SHOCK TOP MOUNTING BUSH

#### INSTALLATION GUIDE

##### Contents (parts per pack):

2 x Polyurethane A Bushes    2 x Polyurethane B Bushes

Please read the complete fitting instructions and check package components before fitment. These fitting instructions are to be used as a guide and in conjunction with workshop manual.

It is recommended that:

- all work to be carried out by a licensed technician;
- all safety precautions adhered to;
- wheel alignment to be checked and adjusted as required after any suspension work.
- All fasteners must be tensioned to manufacturer's torque settings.

##### Fitting Instructions:

1. Lift the vehicle using a workshop lift or axle stands. Remove the rear wheels at this point.
2. Loosen the top suspension strut retaining nut from inside the vehicle.
3. Supporting the rear axle, loosen and remove the lower strut retaining bolt.
4. Lower the axle and remove the strut from the vehicle.
5. Discard the upper top mount rubber and ensure the turret well is clean and clear of any corrosion. Note the orientation of the bush, and washer position.
6. Remove the lower top mount rubber from the strut and clean the underside of turret, ensuring it is clean and clear of any corrosion. Again, note the orientation of the bush, and washer position.
7. Fit the Lower Polyurethane Bush B and original washer onto the strut with the larger part of the bush facing upwards into the turret as shown in Fig.1.
8. Re-fit the strut back onto the vehicle and raise the axle until the bolt holes align. Re-fit the lower bolt.
9. Fit the Upper Polyurethane Bush A and original washers onto the strut inside the vehicle, with the larger part of the bush facing downwards into the turret as shown in Fig.1.
10. Re-fit the wheels and lower the vehicle.
11. Tighten all hardware to the manufacturers recommend torque settings.

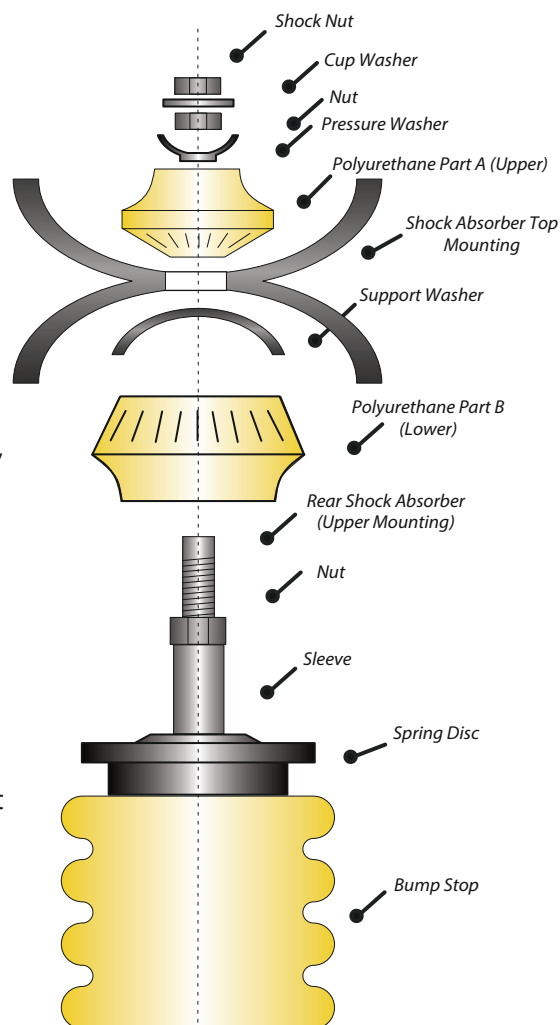


Figure 1